

TOTO ROWAN

CLOSE COUPLED TOILET, 1.6GPF & 1.0GPF



TOTO®

- Dual-Max flushing system, low consumption (1.6GPF/6.0LPF & 1.0GPF/3.8LPF)
- Round bowl
- Universal Height
- Close coupled, round front bowl and tank set, less toilet seat
- Chrome push-button 12" Rough-in
- Toilet seat **not** included

\$125.00 ea



#01 White

DUAMAX®
FLUSHING SYSTEM BY TOTO®

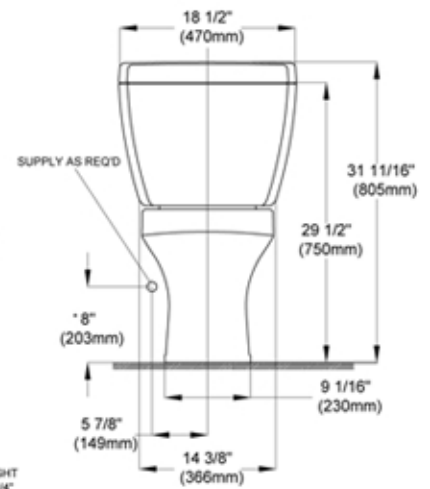
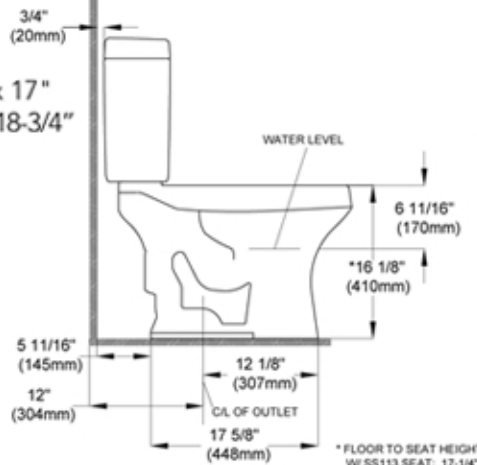
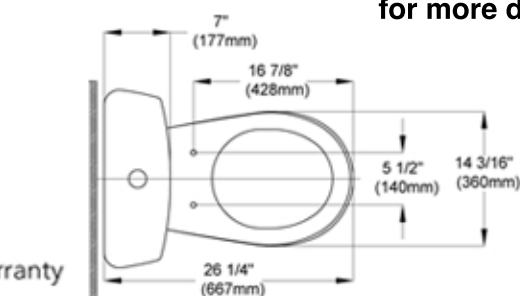


The TOTO brand is known for powerful, well-balanced flushing systems. The Rowan is no exception, and features a 800 MaP flush performance test. It features TOTO's popular CalGreen Compliant Dual-Max flushing technology, a system that maximizes water efficiency through 1.6/1.0 user-choice flush options.

TOTO Rowan Toilet qualifies for High-Efficiency Toilet (HET) rebate. Contact your local Water Department for more details.

SPECIFICATIONS

Water Use	1.6 GPF & 1.0GPF (6.0 LPF & 3.8LPF)
Flush System	Dual-Max
Min. Water Pressure	8 psi (flowing)
Water Surface	7-3/8" x 9-3/8"
Trap Diameter	1-7/8"
Rough-in	12"
Trap Seal	2"
Warranty	One Year Limited Warranty
Material	Vitreous china
Shipping Weight	C405F - 47lbs ST405M - 35lbs
Shipping Dimensions	C405F 26-1/2" x 16" x 17" ST405M 20-1/2" X 8" X 18-3/4"



* FLOOR TO SEAT HEIGHT
W/ SS113 SEAT: 17-1/4"

* SUGGESTED DIMENSION